

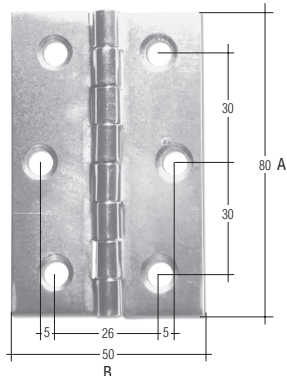
Art. 160 G

CERNIERE INOX LUCIDE

AISI 304

Articolo	A	B	Ø Cerniera	SP	Nr.F	Ø F	Gr/pz
160G	80	50	7	1.5	6	6.5	56

Dimensioni in mm



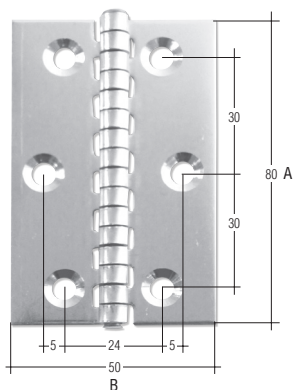
Art. 160 G/1

CERNIERE INOX LUCIDE

AISI 304

Articolo	A	B	Ø Cerniera	SP	Nr.F	Ø F	Gr/pz
160G/1	80	50	7	1.5	6	5.5	56

Dimensioni in mm



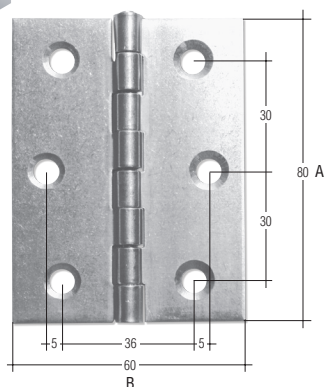
Art. 160 H

CERNIERE INOX LUCIDE

AISI 304

Articolo	A	B	Ø Cerniera	SP	Nr.F	Ø F	Gr/pz
160H	80	60	7	1.5	6	6.5	64

Dimensioni in mm



CERNIERE INOX