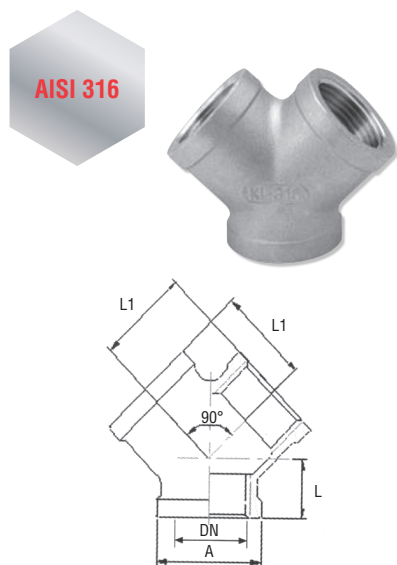


Art. 1209

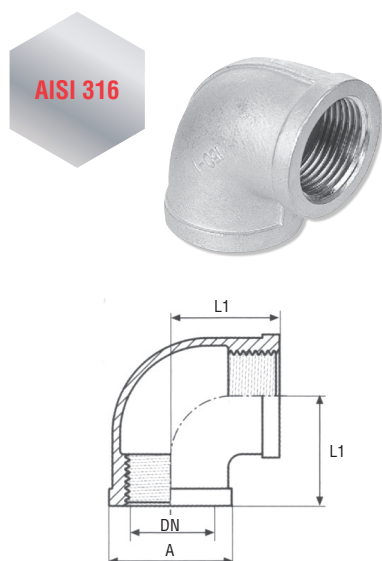
DEVIAZIONE A Y



Articolo	Misura in pollici	DN	A mm	L mm	L1 mm	PESO g/cad
1209A	1/8"	6	17	10	17	40
1209B	1/4"	8	21	13	19	64
1209C	3/8"	10	25	14	23	100
1209D	1/2"	15	29	18	27	128
1209E	3/4"	20	35	20	32	193
1209F	1"	25	43	23	38	323
1209G	1"1/4	32	52	28	46	485
1209H	1"1/2	40	58	30	48	565
1209L	2"	50	71	34	57	890

Art. 1210

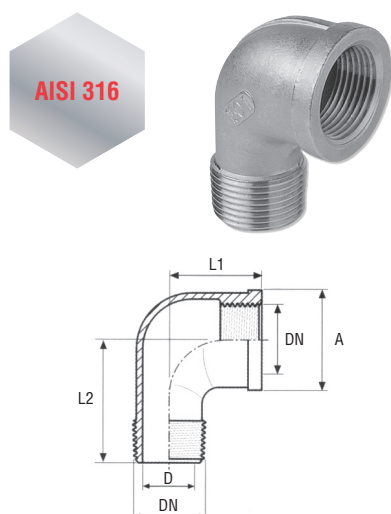
GOMITO 90° FF



Articolo	DN	DN INCH	A mm	L1 mm	PESO g/cad
1210A	6	1/8"	17	19	39
1210B	8	1/4"	21.3	21	61
1210C	10	3/8"	23.5	21.3	68
1210D	15	1/2"	29	27	102
1210E	20	3/4"	36	33	164
1210F	25	1"	43	38	264
1210G	32	1"1/4	52	45	413
1210H	40	1"1/2	58	50	521
1210L	50	2"	71.5	57	808
1210M	65	2"1/2	87	69.7	1183
1210N	80	3"	99.5	77	1380
1210P	100	4"	126	98.2	2714

Art. 1220

GOMITO 90° MF



Articolo	DN	DN inch	A mm	L1 mm	L2 mm	D mm	PESO g/cad
1220A	6	1/8"	17	19	25	5.5	26
1220B	8	1/4"	21	21	28.3	7.6	40
1220C	10	3/8"	25	25	32	10	73
1220D	15	1/2"	29	28	42	12.7	94
1220E	20	3/4"	35	33	50.5	17.7	167
1220F	25	1"	43	38	52	24.8	231
1220G	32	1"1/4	52	45	60	33	429
1220H	40	1"1/2	58.8	50	65	38	473
1220L	50	2"	71.7	58	74	48.7	760
1220M	65	2"1/2	86.2	69	101	62	1286
1220N	80	3"	100	77	114.5	74.5	1925
1220P	100	4"	126.5	97	146.5	100	3100