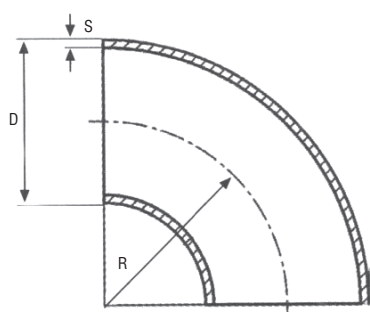
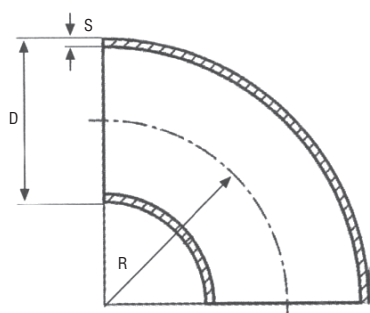


**Art. 1340**
**CURVE A SALDARE 3D 90° IN POLLICI DA TUBO SALDATO**

**RACCORDI INOX A SALDARE**


Articolo	DN	DN inch	D mm	S mm	R mm	PESO g/cad
1340C	10	3/8"	17.0	2	27	34
1340D	15	1/2"	21.3	2	28	40
1340E	20	3/4"	26.9	2	29	60
1340F	25	1"	33.7	2	38	100
1340G	32	1 1/4"	42.4	2	48	152
1340H	40	1 1/2"	48.3	2	57	215
1340L	50	2"	60.3	2	76	350
1340M	65	2 1/2"	76.1	2	95	560
1340N	80	3"	88.9	2	114	810
1340P	90	3 1/2"	101.6	2	133.5	954
1340Q	100	4"	114.3	2	152	1300
1340R	125	5"	139.7	2	190	2100
1340S	150	6"	168.3	2	229	2840
1340T	200	8"	219.1	2	305	5150

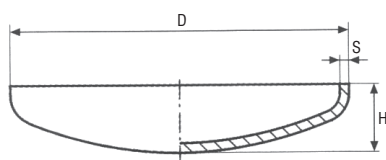
**FORNIBILI ANCHE IN AISI 316 E IN ALTRI SPESSORI**
**Art. 1344**
**CURVE A SALDARE 3D 90° METRICHE DA TUBO SALDATO**


Articolo	D mm	S mm	R mm	PESO g/cad
134418	18	1.5	25	30
134420	20	1.5	30	30
134423	23	1.5	35	40
134425	25	1.5	37	50
134428	28	1.5	40	60
134430	30	1.5	45	80
134433	33	1.5	50	80
134435	35	1.5	52.5	90
134438	38	1.5	55	110
134440	40	1.5	60	130
134443	43	1.5	65	150
1344508	50.8	1.5	76	220
134453	53	1.5	80	250
1344635	63.5	1.5	95	320
134470	70	1.5	92	500
134473	73	1.5	110	530

**FORNIBILI ANCHE IN AISI 316 E IN ALTRI SPESSORI**

Art. 1350

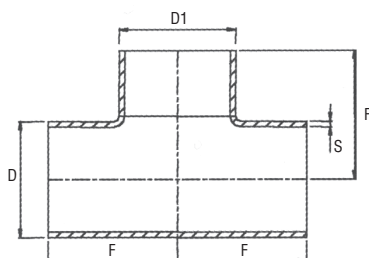
FONDELLI BOMBATI DIN 28011



Articolo	DN	DN inch	D mm	S mm	H mm	PESO g/cad
1350A	15	1/2"	21.3	2	15	20
1350B	20	3/4"	26.9	2	14	30
1350C	25	1"	33.7	2	17	50
1350D	32	1 1/4"	42.4	2	19	70
1350E	40	1 1/2"	48.3	2	20	90
1350F	50	2"	60.3	2	22	150
1350G	65	2 1/2"	76.1	2	25	220
1350H	80	3"	88.9	2	28	290
1350L	90	3 1/2"	101.6	2	25	225
1350M	---	---	108	2	30	248
1350N	100	4"	114.3	2	31	270
1350P	125	5"	139.7	2	35	650
1350Q	150	6"	168.3	2	40	900
1350R	200	8"	219.1	2	50	1200
1350S	250	10"	273	2	60	1200
1350T	300	12"	323.9	2	72	2200

Art. 1360

TEE E.U. DIN 2605

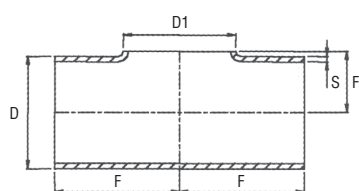


Articolo	DN	D-D1 mm	S mm	F mm	PESO g/cad
1360C	15 (1/2")	21.3	2	25	150
1360D	20 (3/4")	26.9	2	28	170
1360E	25 (1")	33.7	2	38	250
1360F	32 (1 1/4")	42.4	2	47	340
1360G	40 (1 1/2")	48.3	2	57	460
1360H	50 (2")	60.3	2	63	550
1360L	65 (2 1/2")	76.1	2	76	990
1360M	80 (3")	88.9	2	85	1290
1360N	100 (4")	114.3	2	105	2060
1360P	125 (5")	139.7	2	124	1850
1360Q	150 (6")	168.3	2	143	2980
1360R	200 (8")	219.1	2	178	4330

FORNIBILI ANCHE IN AISI 316

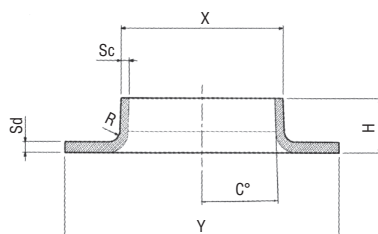
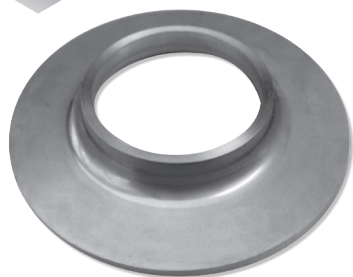
**Art. 1362**
**TEE E.U. RIBASSATI DIN 2605**

**RACCORDI INOX A SALDARE**

**AISI 304**


Articolo	DN	D-D1 mm	S mm	F mm	F1 mm	PESO g/cad
<b>1362C</b>	15 (1/2")	21.3	2	25	12	66
<b>1362D</b>	20 (3/4")	26.9	2	28	15	90
<b>1362E</b>	25 (1")	33.7	2	38	19	146
<b>1362F</b>	32 (1"1/4)	42.4	2	47	23	230
<b>1362G</b>	40 (1"1/2)	48.3	2	57	26	330
<b>1362H</b>	50 (2")	60.3	2	63	33	420
<b>1362L</b>	65 (2"1/2)	76.1	2	76	42	850
<b>1362M</b>	80 (3")	88.9	2	85	48	1050
<b>1362N</b>	100 (4")	114.3	2	105	62	1314

**FORNIBILI ANCHE IN AISI 316**
**Art. 1370**
**CARTELLE DI APPOGGIO**

**AISI 304**


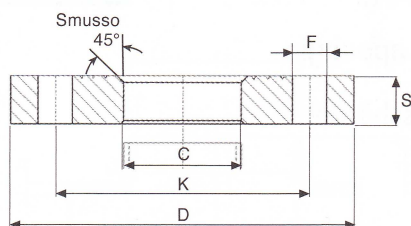
Articolo	DN	DN inch	Y mm	X mm	H mm	Sd mm	Sc mm	PESO g/cad
<b>1370B</b>	10	3/8"	40	17.2	6	2	2	20
<b>1370C</b>	15	1/2"	43	21.3	7	2	2	25
<b>1370D</b>	20	3/4"	58	26.9	8	2	2	38
<b>1370E</b>	25	1"	68	33.7	9	2	2	55
<b>1370F</b>	32	1"1/4	78	42.4	10	2	2	68
<b>1370G</b>	40	1"1/2	88	48.3	10	2	2	85
<b>1370H</b>	50	2"	102	60.3	12	2	2	115
<b>1370L</b>	65	2"1/2	122	76.1	12	2	2	150
<b>1370M</b>	80	3"	138	88.9	12	2	2	170
<b>1370N</b>	100	4"	158	114.3	16	2	2	200
<b>1370P</b>	125	5"	185	139.7	16	2	2	300
<b>1370Q</b>	150	6"	212	168.3	17	2	2	350
<b>1370R</b>	200	8"	270	219.1	18	2	2	500

**FORNIBILI ANCHE IN AISI 316**

**FLANGIA PIANA IN ALLUMINIO**

**ART. FLDN**

**NOVITÀ**



**Flangia in alluminio**

Norma: UNI 6089 - DIN 2642 ISO R64  
Materiale: lega di alluminio  
EN AB 47000 (UNI 7369/2)

**PN 10**

Articolo	DN	DN inch	Tubo	FLANGIA			FORI			PESO Kg/cad.
			DE mm	D mm	S mm	C mm	K mm	F mm	N. fori	
FLDN10PN10ALL	10	3/8"	17.2	90	12	19	60	14	4	0.18
FLDN15PN10ALL	15	1/2"	21.3	95	12	24	65	14	4	0.19
FLDN20PN10ALL	20	3/4"	26.9	105	12	30	75	14	4	0.22
FLDN25PN10ALL	25	1"	33.7	115	12	36	85	14	4	0.27
FLDN32PN10ALL	32	1"1/4	42.4	140	16	46	100	18	4	0.53
FLDN40PN10ALL	40	1"1/2	48.3	150	16	54	110	18	4	0.59
FLDN50PN10ALL	50	2"	60.3	165	16	65	125	18	4	0.7
FLDN65PN10ALL	65	2"1/2	76.1	185	16	81	145	18	4	0.87
FLDN80PN10ALL	80	3"	88.9	200	18	94	160	18	8	1.05
FLDN100PN10ALL	100	4"	114.3	220	18	119	180	18	8	1.16
FLDN125PN10ALL	125	5"	139.7	250	18	144	210	18	8	1.45
FLDN150PN10ALL	150	6"	168.3	285	18	173	240	22	8	1.7
FLDN200PN10ALL	200	8"	219.1	340	20	225	295	22	8	2.5
FLDN250PN10ALL	250	10"	273	395	22	279	350	22	12	3.25
FLDN300PN10ALL	300	12"	323.9	445	22	329	400	22	12	3.8

**FLANGIA PIANA IN ACCIAIO INOX 304L/316L - PN10**

**ART. FLDN**



Acciaio inox AISI	Codice Articolo	PN	Tubo		FLANGIA					BULLONI		PESO Kg/cad.
			DN	A	B1	D	C1	K	L	N. fori	Fil.	
304L	FLDN15PN10A2	PN10 = 16 = 25 = 40	15 - 1/2"	21.3	22	95	14	65	14	4	M12	0.7
316L	FLDN15PN10A4											
304L	FLDN20PN10A2		20 - 3/4"	26.9	27.5	105	16	75	14	4	M12	1
316L	FLDN20PN10A4											
304L	FLDN25PN10A2		25 - 1"	33.7	34.5	115	16	85	14	4	M12	1.1
316L	FLDN25PN10A4											
304L	FLDN32PN10A2		32 - 1"1/4	42.4	43.5	140	18	100	18	4	M16	1.8
316L	FLDN32PN10A4											
304L	FLDN40PN10A2		40 - 1"1/2	48.3	49.5	150	18	110	18	4	M16	2.1
316L	FLDN40PN10A4											
304L	FLDN50PN10A2	PN10 = 16	50 - 2"	60.3	61.5	165	20	125	18	4	M16	2.6
316L	FLDN50PN10A4											
304L	FLDN65PN10A2		65 - 2"1/2	76.1	77.5	185	20	145	18	8	M16	3.3
316L	FLDN65PN10A4											
304L	FLDN80PN10A2		80 - 3"	88.9	90.5	200	20	160	18	8	M16	3.6
316L	FLDN80PN10A4											
304L	FLDN100PN10A2		100 - 4"	114.3	116	220	22	180	18	8	M16	4.4
316L	FLDN100PN10A4											
304L	FLDN125PN10A2		125 - 5"	139.7	141.5	250	22	210	18	8	M16	5.4
316L	FLDN125PN10A4											
304L	FLDN150PN10A2	150 - 6"	168.3	170.5	285	24	240	22	8	M20	7.2	
316L	FLDN150PN10A4											
304L	FLDN200PN10A2	PN10	200 - 8"	219.1	221.5	340	24	295	22	8	M20	9.3
316L	FLDN200PN10A4											
304L	FLDN250PN10A2		250 - 10"	273	276.5	395	26	350	22	12	M20	12
316L	FLDN250PN10A4											
304L	FLDN300PN10A2		300 - 12"	323.9	327.5	445	26	400	22	12	M20	13.8
316L	FLDN300PN10A4											
304L	FLDN350PN10A2		350 - 14"	355.6	359.5	505	28	460	22	16	M20	20.6
316L	FLDN350PN10A4											
304L	FLDN400PN10A2		400 - 16"	406.4	411	565	32	515	26	16	M24	28
316L	FLDN400PN10A4											
304L	FLDN500PN10A2	500 - 20"	508	513.5	670	38	620	26	20	M24	41	
316L	FLDN500PN10A4											

**FLANGIA PIANA IN ACCIAIO INOX 304L/316L - PN16**

**ART. FLDN**



**NOVITÀ**

Acciaio inox AISI	Codice Articolo	PN	Tubo		FLANGIA					BULLONI		PESO Kg/cad.
			DN	A	B1	D	C1	K	L	N. fori	Fil.	
304L	FLDN15PN16A2	PN10 = 16 = 25 = 40	15 - 1/2"	21.3	22	95	14	65	14	4	M12	0.7
316L	FLDN15PN16A4											
304L	FLDN20PN16A2		20 - 3/4"	26.9	27.5	105	16	75	14	4	M12	1
316L	FLDN20PN16A4											
304L	FLDN25PN16A2		25 - 1"	33.7	34.5	115	16	85	14	4	M12	1.1
316L	FLDN25PN16A4											
304L	FLDN32PN16A2		32 - 1"1/4	42.4	43.5	140	18	100	18	4	M16	1.8
316L	FLDN32PN16A4											
304L	FLDN40PN16A2		40 - 1"1/2	48.3	49.5	150	18	110	18	4	M16	2.1
316L	FLDN40PN16A4											
304L	FLDN50PN16A2	PN10 = 16	50 - 2"	60.3	61.5	165	20	125	18	4	M16	2.6
316L	FLDN50PN16A4											
304L	FLDN65PN16A2		65 - 2"1/2	76.1	77.5	185	20	145	18	8	M16	3.3
316L	FLDN65PN16A4											
304L	FLDN80PN16A2		80 - 3"	88.9	90.5	200	20	160	18	8	M16	3.6
316L	FLDN80PN16A4											
304L	FLDN100PN16A2		100 - 4"	114.3	116	220	22	180	18	8	M16	4.4
316L	FLDN100PN16A4											
304L	FLDN125PN16A2		125 - 5"	139.7	141.5	250	22	210	18	8	M16	5.4
316L	FLDN125PN16A4											
304L	FLDN150PN16A2	150 - 6"	168.3	170.5	285	24	240	22	8	M20	7.2	
316L	FLDN150PN16A4											
304L	FLDN200PN16A2	PN16	200 - 8"	219.1	221.5	340	26	295	22	12	M20	9.8
316L	FLDN200PN16A4											
304L	FLDN250PN16A2		250 - 10"	273	276.5	405	29	355	26	12	M24	14.5
316L	FLDN250PN16A4											
304L	FLDN300PN16A2		300 - 12"	323.9	327.5	460	32	410	26	12	M24	19.3
316L	FLDN300PN16A4											
304L	FLDN350PN16A2		350 - 14"	355.6	359.5	520	35	470	26	16	M24	28.5
316L	FLDN350PN16A4											
304L	FLDN400PN16A2		400 - 16"	406.4	411	580	38	525	30	16	M27	36.2
316L	FLDN400PN16A4											
304L	FLDN500PN16A2	500 - 20"	508	513.5	715	46	650	33	20	M30	64	
316L	FLDN500PN16A4											